

RETAIL PRO™

SINGLE LEAF MANUALLY OPERATED HORIZONTAL SLIDING DOOR

- White Metal Clad Finish
- Diamond-Trac® System
- ONE Year Warranty



Right Hand
Slide Shown
(Shown with Optional
View Window)

COOLER DOOR SPECIFICATIONS:

Supply where indicated on plans Jamison Retail Pro™ Manual Single Leaf Horizontal Sliding Cooler Door with Diamond Trac® System.

Door leaf to have steel structure and to be metal clad with #26 gauge white pre-painted stucco embossed steel front and back. Door panel supplied with reinforcement for hardware attachment.

Frame (casings and header) to be 1" thick wood

structure metal clad to match door finish.

Door leaf to be filled with 3 1/2" of Jamifoam non-CFC polyurethane insulation to be poured into door cavity under controlled heat and pressure.

Gasket at sides and head of frame and bottom of door to be grease resistant bulb type.

Hardware to have protective coating against corrosion. Door track to be high-density polyethylene mounted on full width extruded aluminum angle. V-groove trolley rollers shall conform to contour of track and be equipped with heavy-duty ball bearings with hardened races, permanently lubricated with low temperature grease. Track to have "down and in" design to assure positive seal and minimum gasket wear during operation.

FREEZER DOOR SPECIFICATIONS:

Supply where indicated on plans Jamison Retail Pro™ Manual Single Leaf Horizontal Sliding Freezer Door with Diamond Trac® System.

Door leaf to have aluminum extruded structure and to be metal clad with #26 gauge white pre-painted stucco embossed steel front and back. Door panel supplied with reinforcement for hardware attachment.

Door leaf to be filled with 4" of Jamifoam non-CFC polyurethane insulation with an R value

of 28 at 40°F. Insulation to be poured into door cavity under controlled heat and pressure.

Gasket at sides and head of frame to be grease resistant bulb type. Sill gasket to be sweep type.

Provide Frostop heater cables in top, sides, and bottom of door. Complete device to be assembled, ready for connection to 120 volt, 60 Hertz, single-phase AC line.

HARDWARE:

Pick up specifications from cooler door above.

SPECIAL NOTES:

1. Cooler Door temperature range:
Front Door = 110°F maximum (75% humidity)
Back Door = 33°F minimum
 2. Freezer Door temperature range:
Front Door = 50°F minimum
110°F maximum (75% humidity)
Back Door = -15°F minimum
- Retail Pro Door cannot be used in freezer applications with temperatures below -15°F. Maximum temperature difference between warm side of wall and freezer is 90°F.

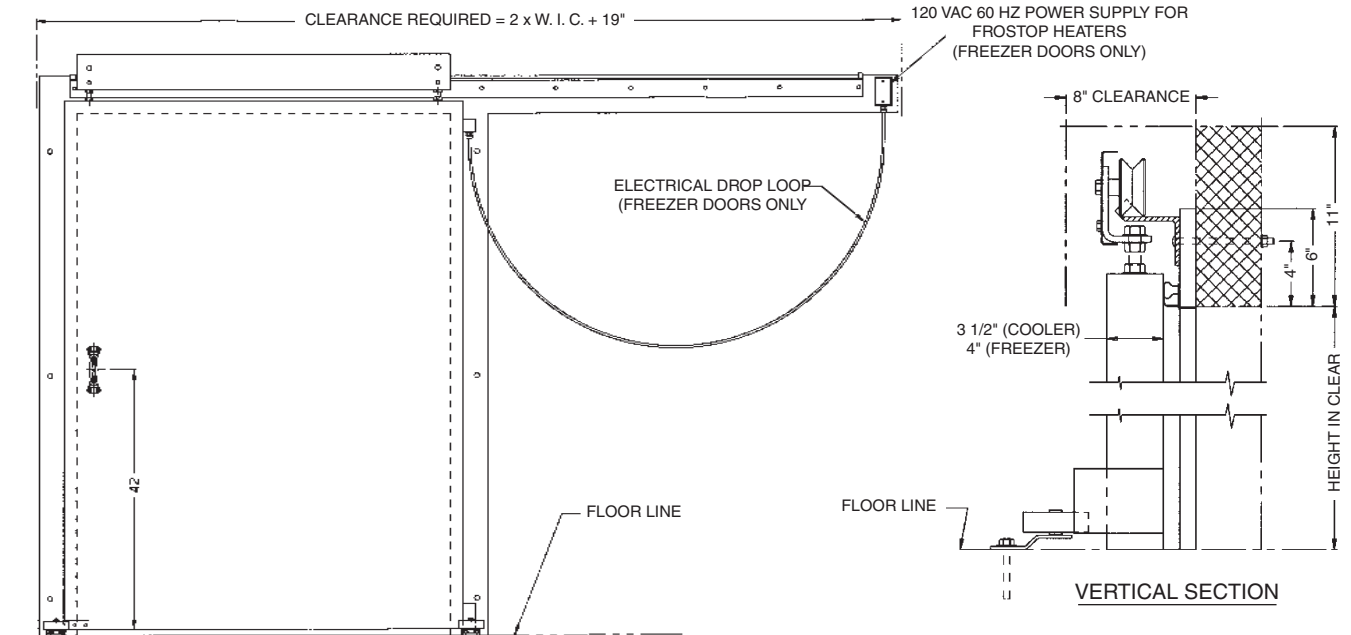
OPTIONS: (SPECIFY which options are desired):

1. Metal cladding can be stucco galvanized steel.
2. M.I.D. Requirements.
3. Padlocking provisions on front of door with safety release on opposite side. Safety

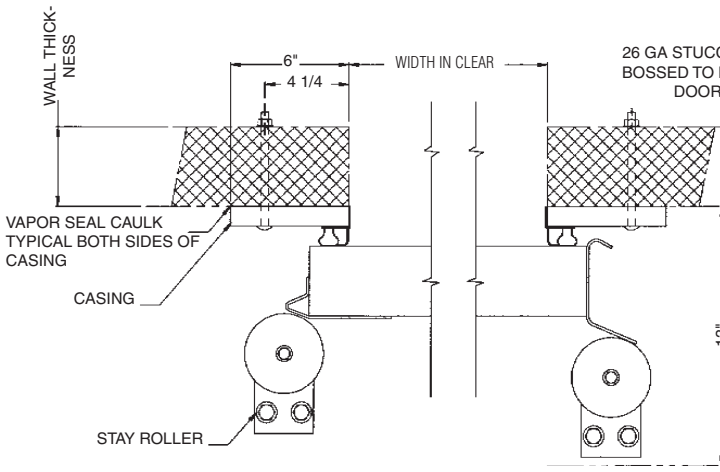
release feature permits door hardware to be released, thus minimizing possibility of personnel being locked in room.

4. View window: 12" x 14" sealed glass unit.
a. Cooler Door - 2 layer 3/4" thick
b. Freezer Door - 3 layer, 1" thick with heat.

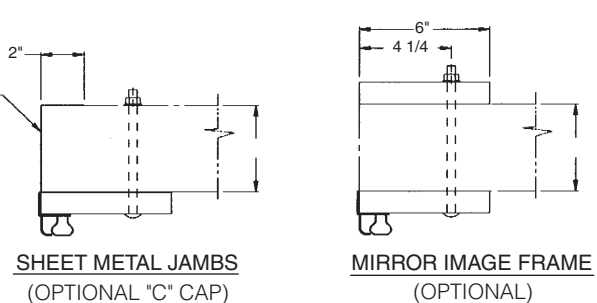
5. Jamb - Metal Clad "C" Cap Jamb.
6. Mirror image inside trim.
7. Diamond Tread Kickplate.



FRONT ELEVATION



HORIZONTAL SECTION



SHEET METAL JAMBS (OPTIONAL "C" CAP)

MIRROR IMAGE FRAME (OPTIONAL)

SIZES AVAILABLE
 Standard sizes up to and including 8'0" width in clear x 10'0" height in clear.

FREEZER DOOR FURNISHED WITH FROSTOP HEATER CABLES.

INSTALLATION POINTS:

1. Bucks should be installed true, plumb and square and of sufficient size to accommodate door weight. Wood bucks should be painted with a suitable preservative to protect against moisture penetration into wood.
2. Hardware and track are factory mounted for easy field erection.
3. Installation instructions are shipped with the door.
4. For freezer door, provide separate 120 volt, 60 Hertz, single phase line complete with keyswitch (by others) for connection to Frostop circuit.
5. After erection and adjustment of door and frame for plumbness and squareness, final mechanical adjustments should be made for tight seal.
6. All bolts, lags, and joints between buck and door frame should be vapor sealed with silicone caulking.
7. Drawings for buck suggestions and bumper post location to protect frame available on request.

📍 Fray Pedro de Gante 85, Cimataro, Santiago de Querétaro, Querétaro, México CP 76030

📞 (442) 727-0441

✉️ contacto@klh.com.mx